



Insulation entry kit

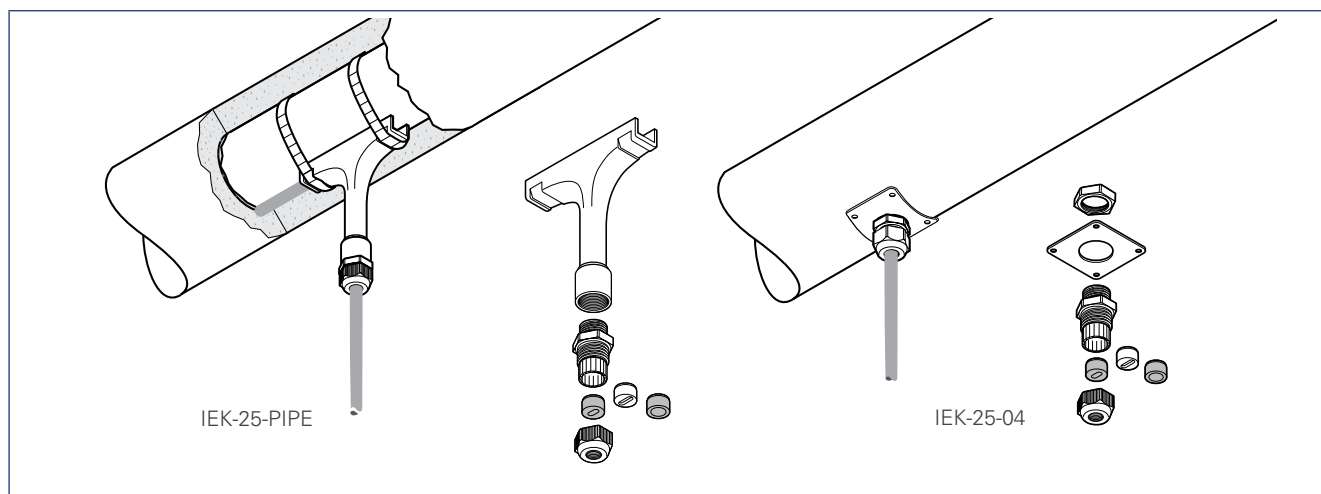
Insulation entry kits are designed to protect cables when passing through the thermal insulation cladding. The IEK's are suitable for all type of parallel heating cables as well as power cables. Insulation entry kits may be used in hazardous and non hazardous areas.

The gland and the grommet provided in the kit provide strain relief and environmental sealing to avoid water ingress in the insulation.

The IEK-25-PIPE contains a protective guiding tube which is fixed to the pipe and allows the heat-tracing installation

to be completed independently from the insulation work. The IEK-25-04 contains a stainless steel plate which can be screwed to the cladding.

Insulation entry kits can be used for installations on pipes, tanks and vessels etc.



Description	IEK-25-PIPE	IEK-25-04
Application	Insulation entry kit for pipe mounting for heating- and power cables with an outside diameter in the range of 8 to 17 mm. Kit contains 1 pc.	Insulation entry kit for pipes, tanks and vessels. Usable for all types of polymer heating cables and power cables with an outside diameter in the range of 8 to 17 mm. Kit contains 1 pc.
Kit contents	<ul style="list-style-type: none"> 1 x polymer "T" Tube 1 x plastic gland (M25) with round hole grommet for power cables 1 x bag with 2 silicon grommets for heating cables 	<ul style="list-style-type: none"> 1 x stainless steel fixing plate 1 x plastic gland (M25) with round hole grommet for power cables 1 x bag with 2 silicon grommets for heating cables 1 x locknut
Product specifications		
Max. exposure temp.		
gland	110°C	110°C
tube	260°C	–
Approvals	–	DNV Certificate No. E-11564 and E-11565
Dimensions	Height 135 mm, width 120 mm	Plate 60 x 60 mm (22SWG)
Ordering information		
Part number (Weight)	1244-001050 (0.13 kg)	332523-000 (0.06 kg)