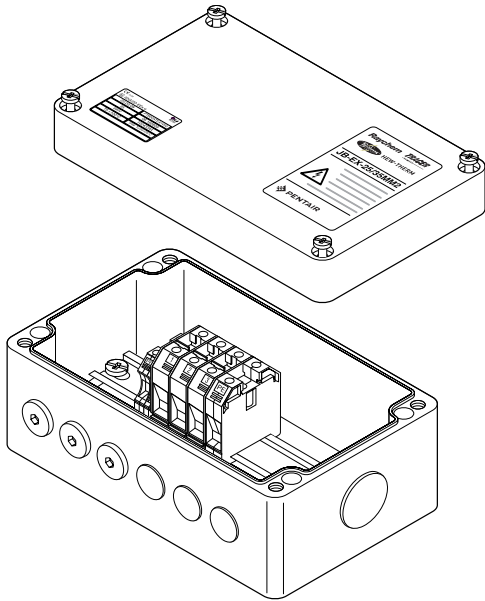


Raychem *TRACER* JB-EX-25/35MM2

HEW-THERM MULTI PURPOSE JUNCTION BOX



Industrial junction box for use in hazardous areas with MI heating cables when larger terminal sizes are required. This box can be used to make connections between power cables, heating and cold lead cables. Depending on the configuration of the system, the box can accommodate multiple heating cables/cold leads and a power cable. The M25 glands are already present in the case of factory terminated MI heating units. In case of on-site assemblies, refer to DOC-606 for detailed information about the required accessories.

Cable connection is accomplished via DIN rail mounted screw terminals from Weidmüller to provide safe, reliable and maintenance-free operation.

The box can be wall mounted via the four holes moulded in the base of the box.

TYPICAL USE

Power supply box, end-box, splice box for series heating cables (MI), when terminated with M25 glands. Marshalling box for power cables.



ENTRIES

6 x M25
1 x M40

KIT CONTENTS

Junction box with screw terminals on DIN rail
3 x M25 stopping plugs
3 x M25 rain plugs (temporary)
1 x M40 stopping plug

APPROVALS

PTB 00 ATEX 1002	 II 2G Ex edm ia [ia] IIC T6, T5 and T4
	 II 2D Ex tD A21 IP66 T85°C, T100°C and T135°C
IECEX PTB 08.0004	Ex e ia II, IIC T6, T5, T4
	Ex tD A21 IP66 T 85°C, T 100°C, T 135°C

This product also has all required approvals for use in Kazakhstan, Russia and other countries. Contact your local Pentair Thermal Management representative for more details.

MATERIALS OF CONSTRUCTION

Box & lid	Electrostatic charge-resistant glass-filled engineered polymer, black
Sealing gasket	Silicone rubber
Lid fixing screws	Stainless steel (captive)

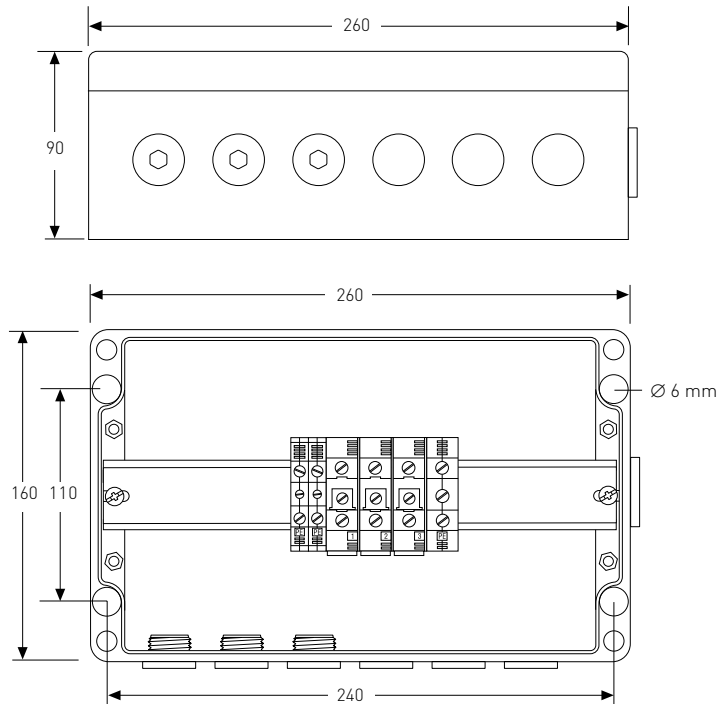
INGRESS PROTECTION

IP66

AMBIENT TEMPERATURE RANGE

-50°C to +55°C

DIMENSIONS (IN MM)



TERMINALS

Quantity & type	3 pcs WDU35 screw terminals 2 pcs WPE10 earth terminals for heating cable earth leads 1 pc WPE35 earth terminal for power cable Junction box can accommodate up to 6 fully loaded phase/neutral terminals (maximum 10 terminals in total)
-----------------	--

Labelling	1, 2, 3 + 3 x PE
Minimum conductor size	2.5 mm ² stranded & solid
Maximum conductor size	35 mm ² stranded & 16 mm ² solid
Maximum operating voltage	690 Vac
Maximum operating current	100 A

ACCESSORIES (TO BE ORDERED SEPARATELY)

Glands for power cables	GL-51-M40 hazardous area approved gland for cables Ø 17-28 mm, GL-45-M32 hazardous area approved gland for cables Ø 12-21 mm, GL-36-M25 hazardous area approved gland for cables Ø 8.5-16 mm
Reducer	REDUCER-M40/32-EEXE hazardous area M40 male to M32 female reducer
Loose terminals	35 mm ² phase/neutral terminal: HWA-WDM-PHASE-35 10 mm ² earth terminal: HWA-WDM-EARTH-10 35 mm ² earth terminal: HWA-WDM-EARTH-35 Endplate: HWA-WDM-PLATE Terminal jumper (2): HWA-WDM-JUMPER-35-2 Terminal jumper (3): HWA-WDM-JUMPER-35-3
Gland for MI cold leads	In case of factory terminated MI heating units, supplied with MI units. For on-site assemblies, contact Pentair Thermal Management or refer to DOC-606

ORDERING DETAILS

Order reference	JB-EX-25/35MM2
Part number (Weight)	1244-006654 (1.9 kg)



WWW.PENTAIRTHERMAL.COM

EUROPE, MIDDLE EAST, AFRICA

Tel: +32.16.213.511
Fax: +32.16.213.603
thermal.info@pentair.com

UNITED KINGDOM

Tel: 0800 969 013
Fax: 0800 968 6241
salesthermaluk@pentair.com

IRELAND

Tel: 1800 654 241
Fax: 1800 654 240
salesie@pentair.com

Pentair is owned by Pentair or its global affiliates. All other trademarks are the property of their respective owners. Pentair reserves the right to change specifications without prior notice.

© 2012-2014 Pentair.