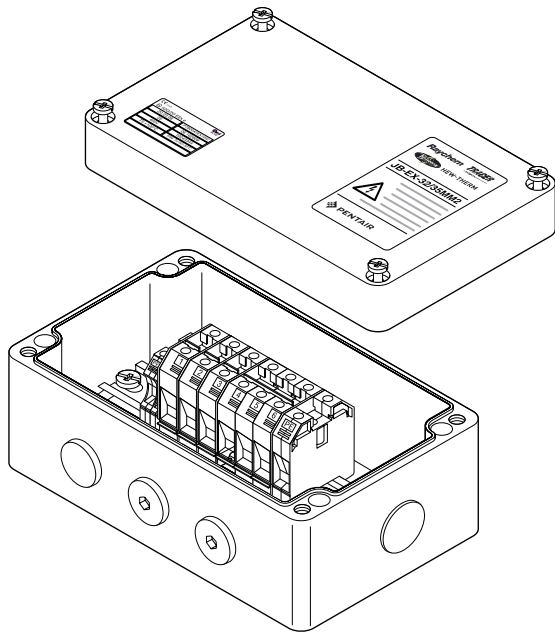


# Raychem *TRACER* JB-EX-32/35MM2

## HEW-THERM MULTI PURPOSE JUNCTION BOX



Industrial junction box for use in hazardous areas with MI heating cables when large terminal sizes are required. This box can be used to make connections between power cables, heating cables and cold lead cables. Depending on the configuration of the system, the box can accommodate multiple heating cables/cold leads and a power cable.

The M32 glands are already present in the case of factory terminated heating units. In case of on-site assemblies, refer to DOC-606 for detailed information about the required accessories.

Cable connection is accomplished via DIN rail mounted screw terminals from Weidmüller to provide safe, reliable and maintenance-free operation.

The box can be wall mounted via the four holes moulded in the base of the box.

### TYPICAL USE

Power supply box, end-box, splice box for series heating cables (MI), when terminated with M32 glands. Marshalling box for power cables.

### ENTRIES

3 x M32  
1 x M40


### KIT CONTENTS

Junction box with screw terminals on DIN rail  
2 x M32 stopping plugs  
1 x M32 rain plug (temporary)  
1 x M40 stopping plug

### APPROVALS

PTB 00 ATEX 1002

 II 2G Ex edm ia [ia] IIC T6, T5 and T4

 II 2D Ex tD A21 IP66 T85°C, T100°C and T135°C

IECEX PTB 08.0004

Ex e ia II, IIC T6, T5, T4

Ex tD A21 IP66 T 85°C, T 100°C, T 135°C

This product also has all required approvals for use in Kazakhstan, Russia and other countries. Contact your local Pentair Thermal Management representative for more details.

**MATERIALS OF CONSTRUCTION**

Box & lid	Electrostatic charge-resistant glass-filled engineered polymer, black
Sealing gasket	Silicone rubber
Lid fixing screws	Stainless steel (captive)

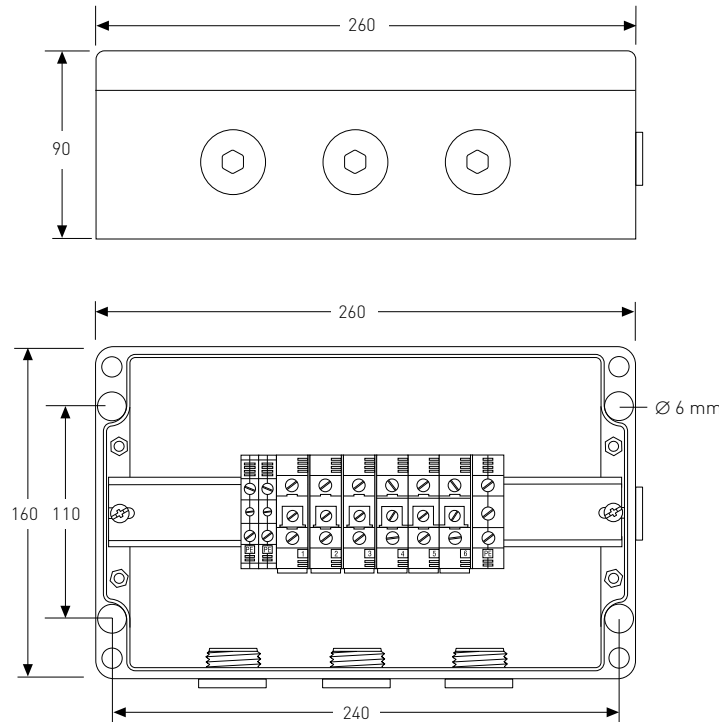
**INGRESS PROTECTION**

IP66
------

**AMBIENT TEMPERATURE RANGE**

-50°C to +55°C
----------------

**DIMENSIONS (IN MM)**



**TERMINALS**

Quantity & type	6 pcs WDU35 screw terminals, 3 separate and 3 bridged, 2 pcs WPE10 earth terminals for heating cable earth leads, 1 pc WPE35 earth terminal for power cable, Junction box can accomodate up to 6 fully loaded phase/neutral terminals (maximum 10 terminals in total)
Labelling	1, 2, 3, 4, 5, 6 + 3 x PE
Minimum conductor size	2.5 mm <sup>2</sup> stranded & solid
Maximum conductor size	35 mm <sup>2</sup> stranded & 16 mm <sup>2</sup> solid
Maximum operating voltage	690 Vac
Maximum operating current	100 A

**ACCESSORIES (TO BE ORDERED SEPARATELY)**

Glands for power cables	GL-51-M40 hazardous area approved gland for cables Ø 17-28 mm GL-45-M32 hazardous area approved gland for cables Ø 12-21 mm
Reducer	REDUCER-M40/32-EEXE hazardous area M40 male to M32 female reducer REDUCER-M32/25-EEXE hazardous area M32 male to M25 female reducer
Loose terminals	35 mm <sup>2</sup> phase/neutral terminal: HWA-WDM-PHASE-35 10 mm <sup>2</sup> earth terminal: HWA-WDM-EARTH-10 35 mm <sup>2</sup> earth terminal: HWA-WDM-EARTH-35 Endplate: HWA-WDM-PLATE Terminal jumper (2): HWA-WDM-JUMPER-35-2 Terminal jumper (3): HWA-WDM-JUMPER-35-3
Gland for MI cold leads	In case of factory terminated units, already present. For on-site assemblies, contact Pentair Thermal Management or refer to DOC-606

**ORDERING DETAILS**

Order reference	JB-EX-32/35MM2
Part number (Weight)	1244-006655 (1.9 kg)



[WWW.PENTAIRTHERMAL.COM](http://WWW.PENTAIRTHERMAL.COM)

**EUROPE, MIDDLE EAST, AFRICA**

Tel: +32.16.213.511  
Fax: +32.16.213.603  
[thermal.info@pentair.com](mailto:thermal.info@pentair.com)

**UNITED KINGDOM**

Tel: 0800 969 013  
Fax: 0800 968 6241  
[salesthermaluk@pentair.com](mailto:salesthermaluk@pentair.com)

**IRELAND**

Tel: 1800 654 241  
Fax: 1800 654 240  
[salesie@pentair.com](mailto:salesie@pentair.com)

Pentair is owned by Pentair or its global affiliates. All other trademarks are the property of their respective owners. Pentair reserves the right to change specifications without prior notice.

© 2012-2014 Pentair.